



US00D697304S

(12) **United States Design Patent**
Westfall

(10) **Patent No.:** **US D697,304 S**

(45) **Date of Patent:** **** Jan. 14, 2014**

(54) **SPRING-LOADED REEL**
(76) Inventor: **Denise Westfall**, Greenville, CA (US)
(**) Term: **14 Years**

7,380,357 B2 * 6/2008 Jones et al. 40/1.5
D619,499 S * 7/2010 Weyer et al. D11/221
D623,848 S * 9/2010 Hirvimaki D3/207
D642,376 S * 8/2011 Pennington D3/215
D685,986 S * 7/2013 Lazott et al. D3/215

* cited by examiner

(21) Appl. No.: **29/414,589**

Primary Examiner — Catheri Oliver-Garcia

(22) Filed: **Feb. 29, 2012**

(74) *Attorney, Agent, or Firm* — Timothy M. Brown, Esq.

(51) **LOC (10) Cl.** **03-01**

(57) **CLAIM**

(52) **U.S. Cl.** **D3/215**
USPC **D3/215**

The ornamental design for a spring-loaded reel, as shown and described.

(58) **Field of Classification Search**
USPC D3/215, 207-212, 228; 40/1.5, 1.6,
40/586, 661.04, 661.05; 24/3.1, 3.6, 3.11,
24/3.12, 3.13; 431/253; 242/379.2, 385.4,
242/404.1, 404.3; 70/456 R; D8/34
See application file for complete search history.

DESCRIPTION

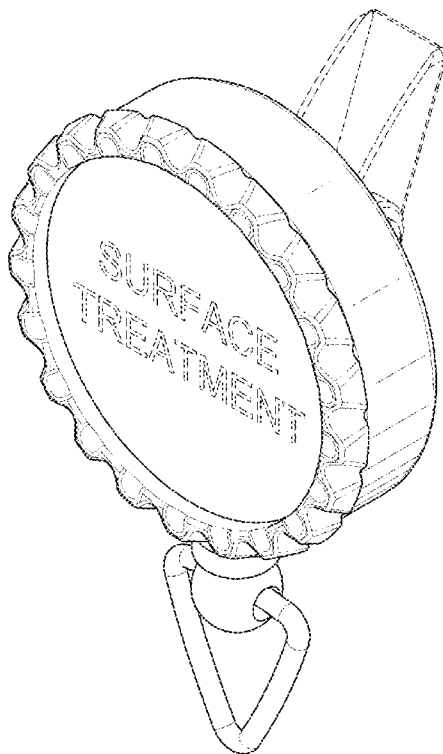
FIG. 1 is a perspective view of the spring loaded reel showing the new design;
FIG. 2 is a front view thereof.
FIG. 3 is rear view thereof.
FIG. 4 is a right side view thereof.
FIG. 5 is a left side view thereof.
FIG. 6 is a top view thereof.
FIG. 7 is a bottom view thereof; and,
FIG. 8 is a perspective view thereof.
The broken lines showing an attaching clip and surface treatment are for illustrative purposes only and form no part of the claimed design.

(56) **References Cited**

U.S. PATENT DOCUMENTS

5,938,137 A * 8/1999 Poulson 242/379.2
D478,722 S * 8/2003 Parker D3/215
6,641,390 B2 * 11/2003 Genuise 431/253
D498,358 S * 11/2004 Wolff D3/215
D514,311 S * 2/2006 Cetera D3/215
D539,528 S * 4/2007 Hastings D3/215
D555,447 S * 11/2007 Bhavnani et al. D8/34

1 Claim, 6 Drawing Sheets



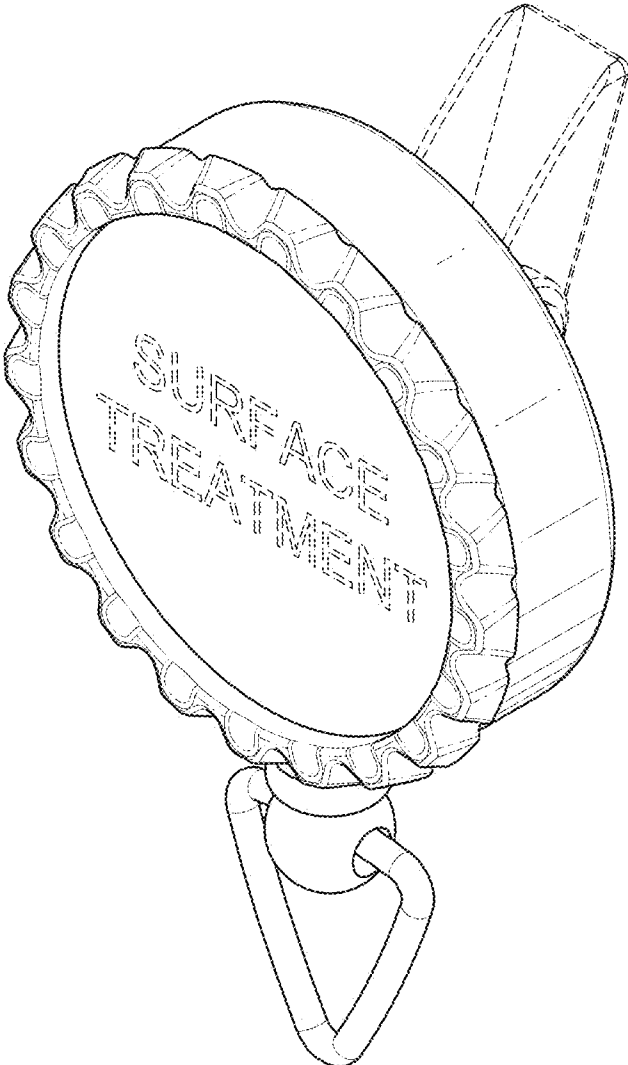


FIG. 1

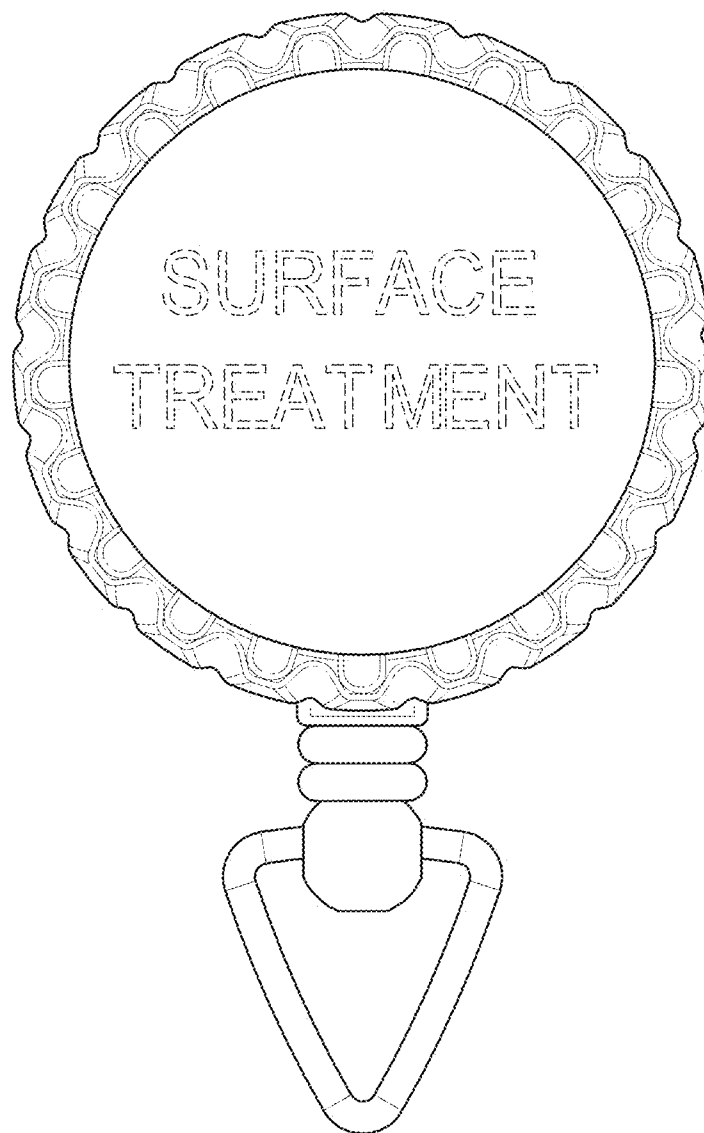


FIG. 2

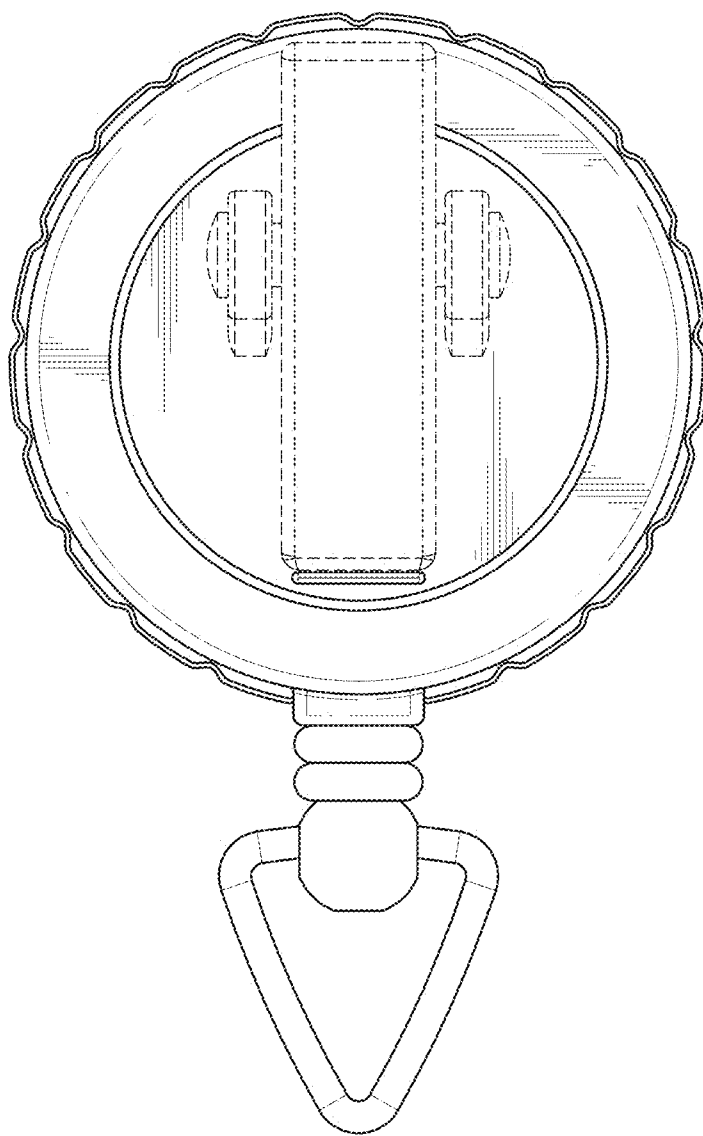


FIG. 3

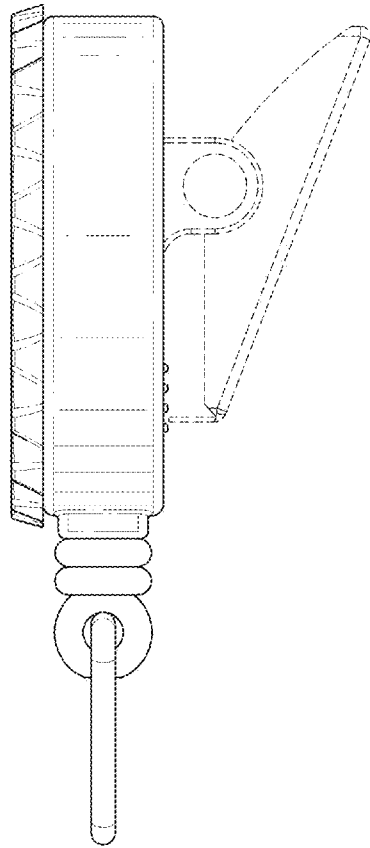


FIG. 4

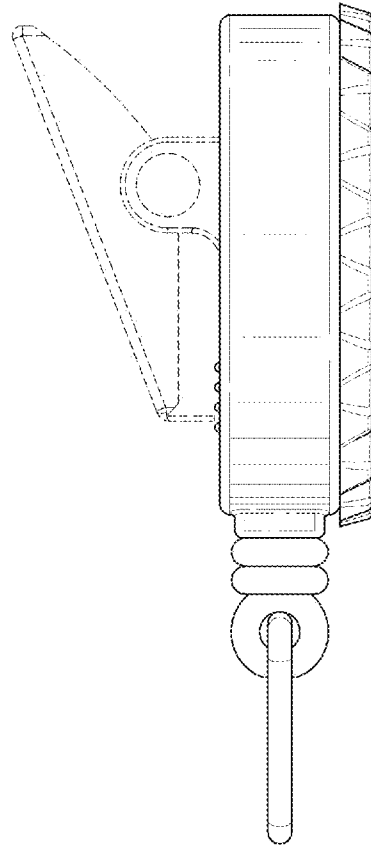


FIG. 5

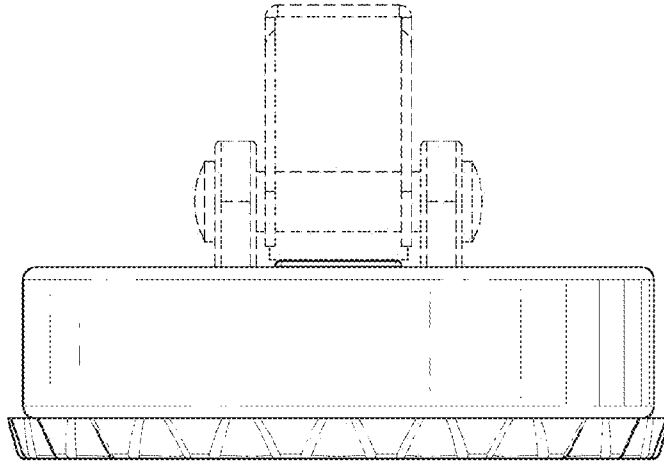


FIG. 6

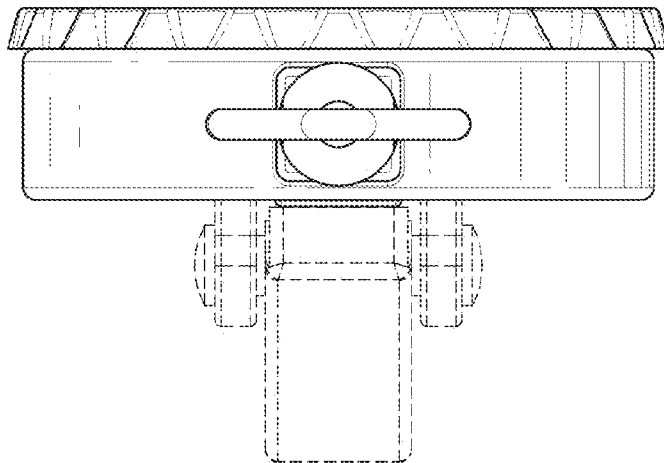


FIG. 7

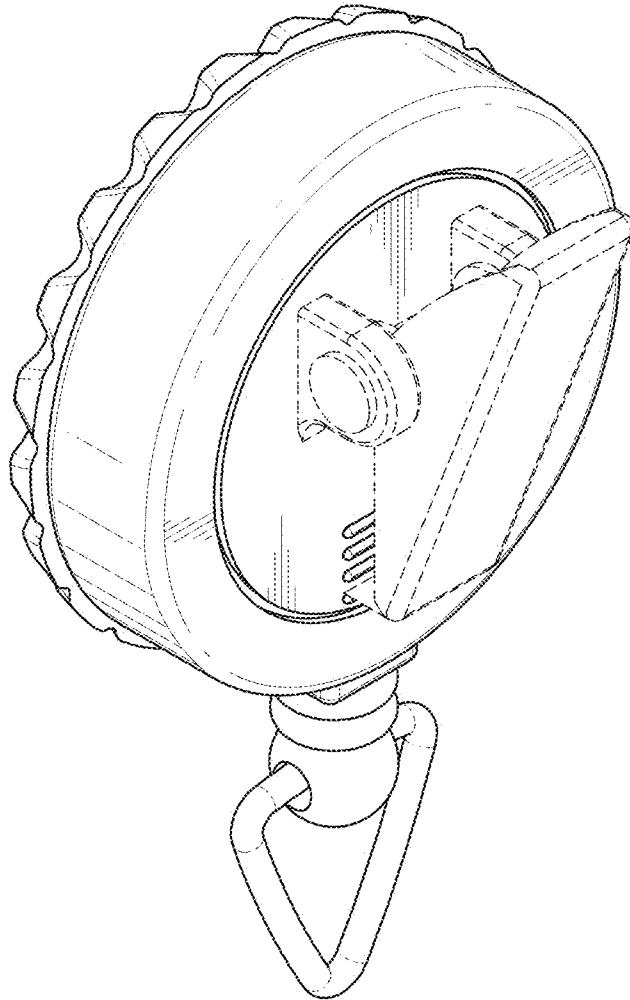


FIG. 8