



(19) **United States**

(12) **Patent Application Publication**
TANKOVICH et al.

(10) **Pub. No.: US 2019/0151020 A1**

(43) **Pub. Date: May 23, 2019**

(54) **ACCESSORY FOR ELECTROMAGNETIC HANDPIECE**

(71) Applicants: **Nikolai TANKOVICH**, San Diego, CA (US); **Alexei LUKASHEV**, San Diego, CA (US)

(72) Inventors: **Nikolai TANKOVICH**, San Diego, CA (US); **Alexei LUKASHEV**, San Diego, CA (US)

(21) Appl. No.: **16/230,961**

(22) Filed: **Dec. 21, 2018**

Related U.S. Application Data

(63) Continuation of application No. 15/825,102, filed on Nov. 29, 2017, now Pat. No. 10,206,743, which is a continuation of application No. 14/215,057, filed on Mar. 16, 2014, now Pat. No. 9,861,442.

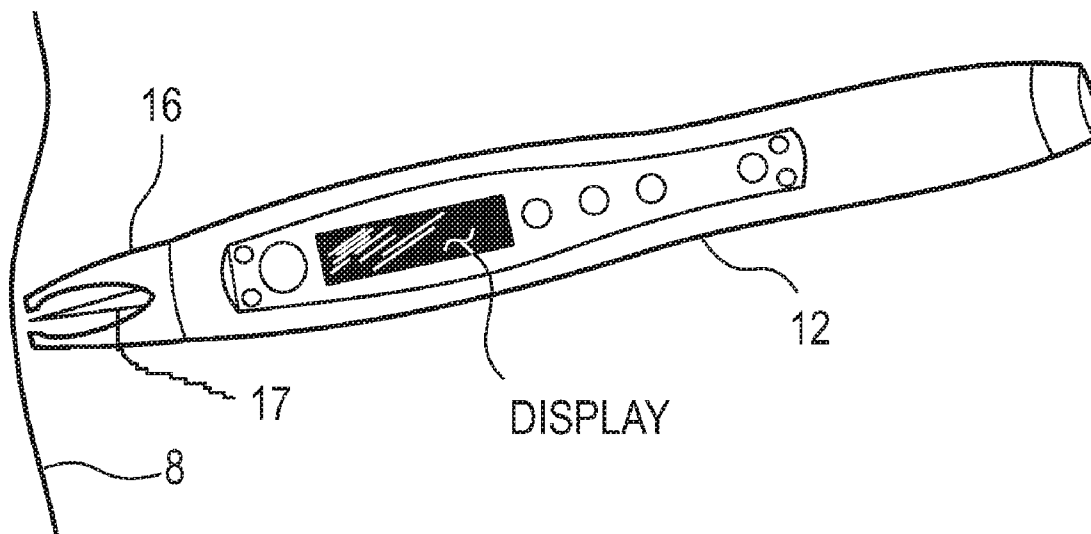
Publication Classification

(51) **Int. Cl.**
A61B 18/20 (2006.01)
A45D 26/00 (2006.01)
A45D 34/04 (2006.01)

(52) **U.S. Cl.**
 CPC *A61B 18/203* (2013.01); *A61N 2005/067* (2013.01); *A45D 34/04* (2013.01); *A45D 26/00* (2013.01)

(57) **ABSTRACT**

The present invention provides a laser system and laser handpiece and process for skin treatment. The system includes components for producing a continuous or pulse laser beam, and components for delivering a substance to the damaged region of skin. The system is designed to control and utilize the laser beam for damaging small volume of skin tissue and using a disposable tip to deliver a substance which is applied simultaneously or with some delay producing a combination of laser action with the action of a named substance at the same time.



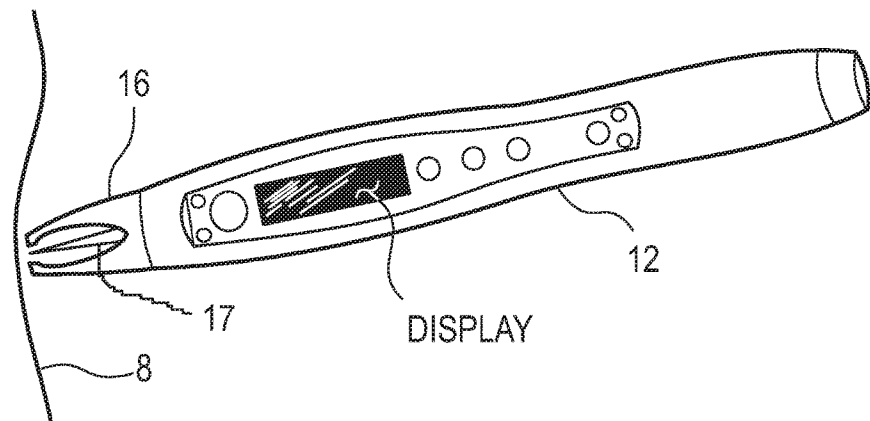


FIG. 1

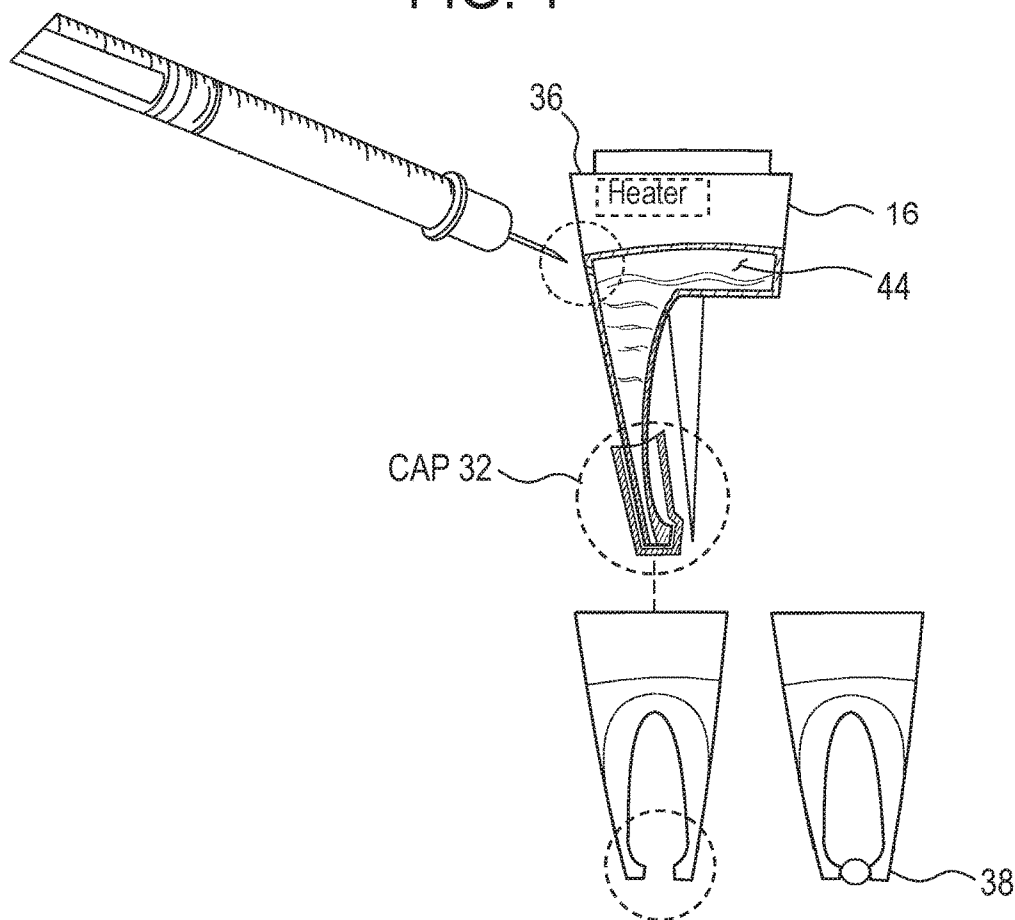


FIG. 3

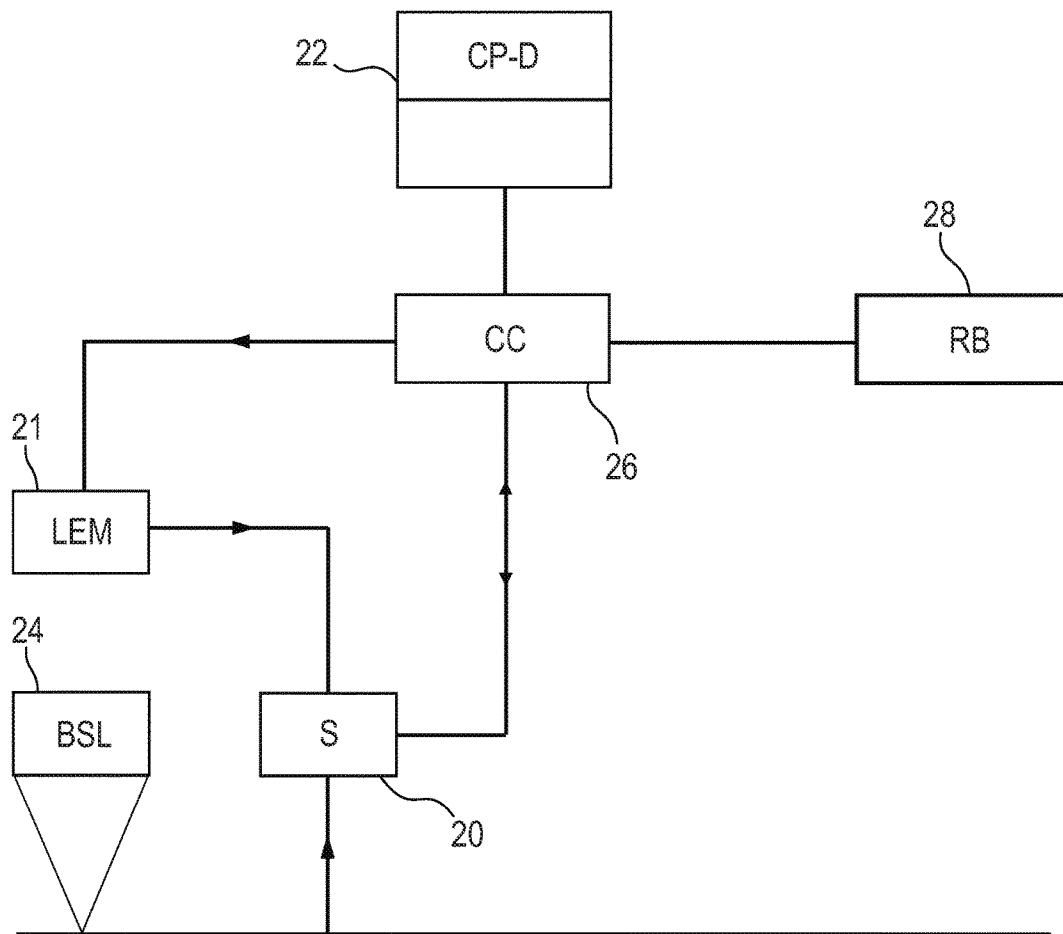


FIG. 2

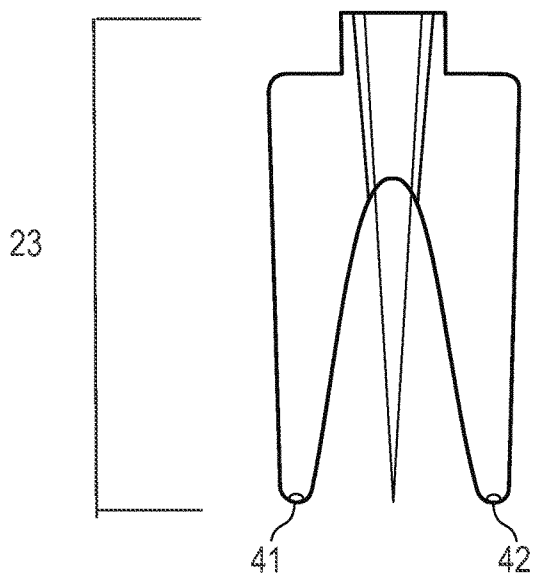


FIG. 4A

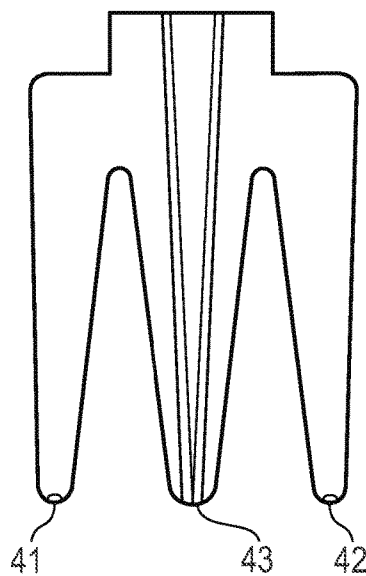


FIG. 4B

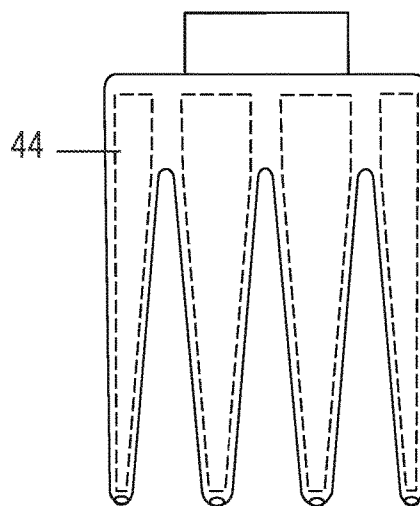


FIG. 4C

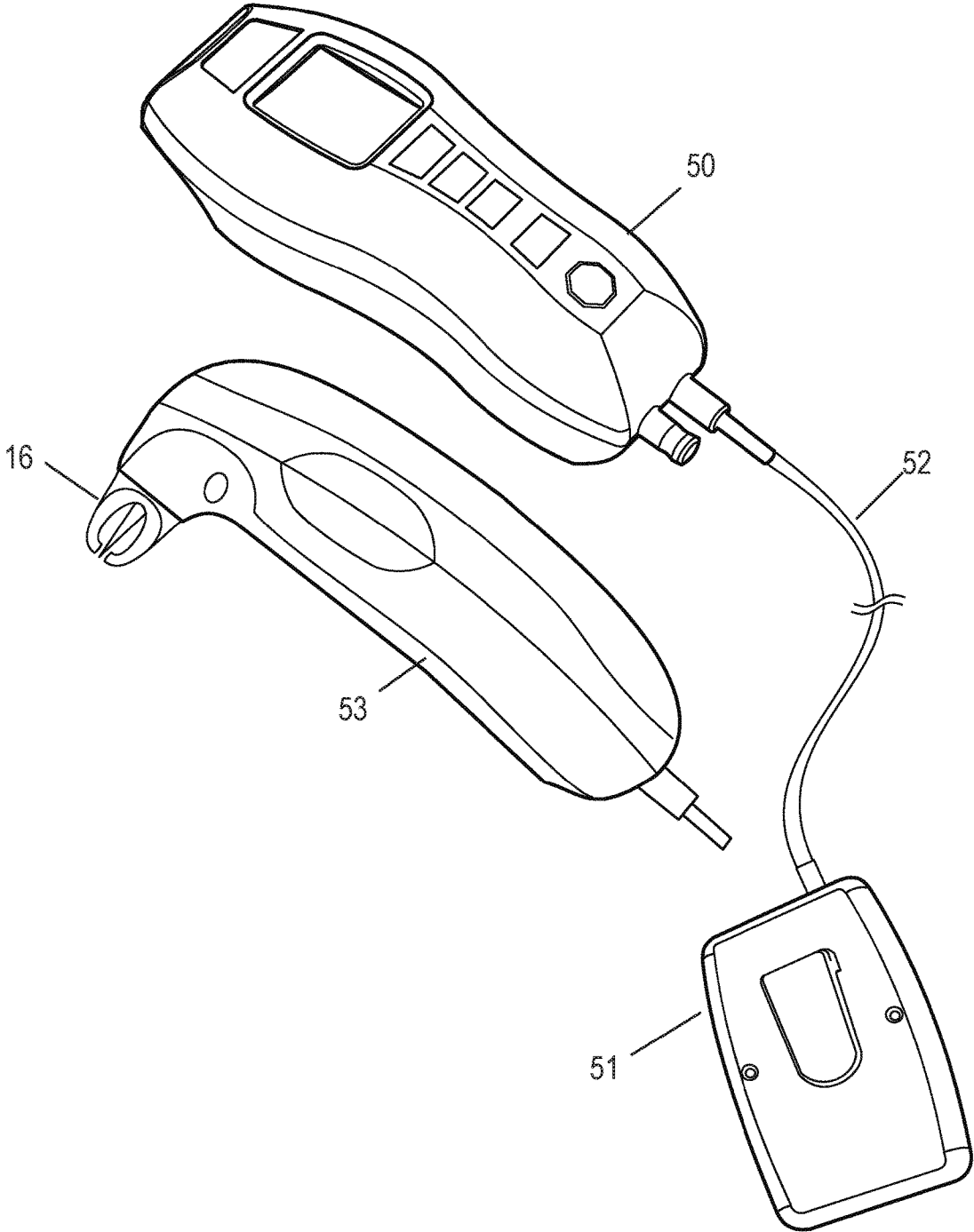


FIG. 5

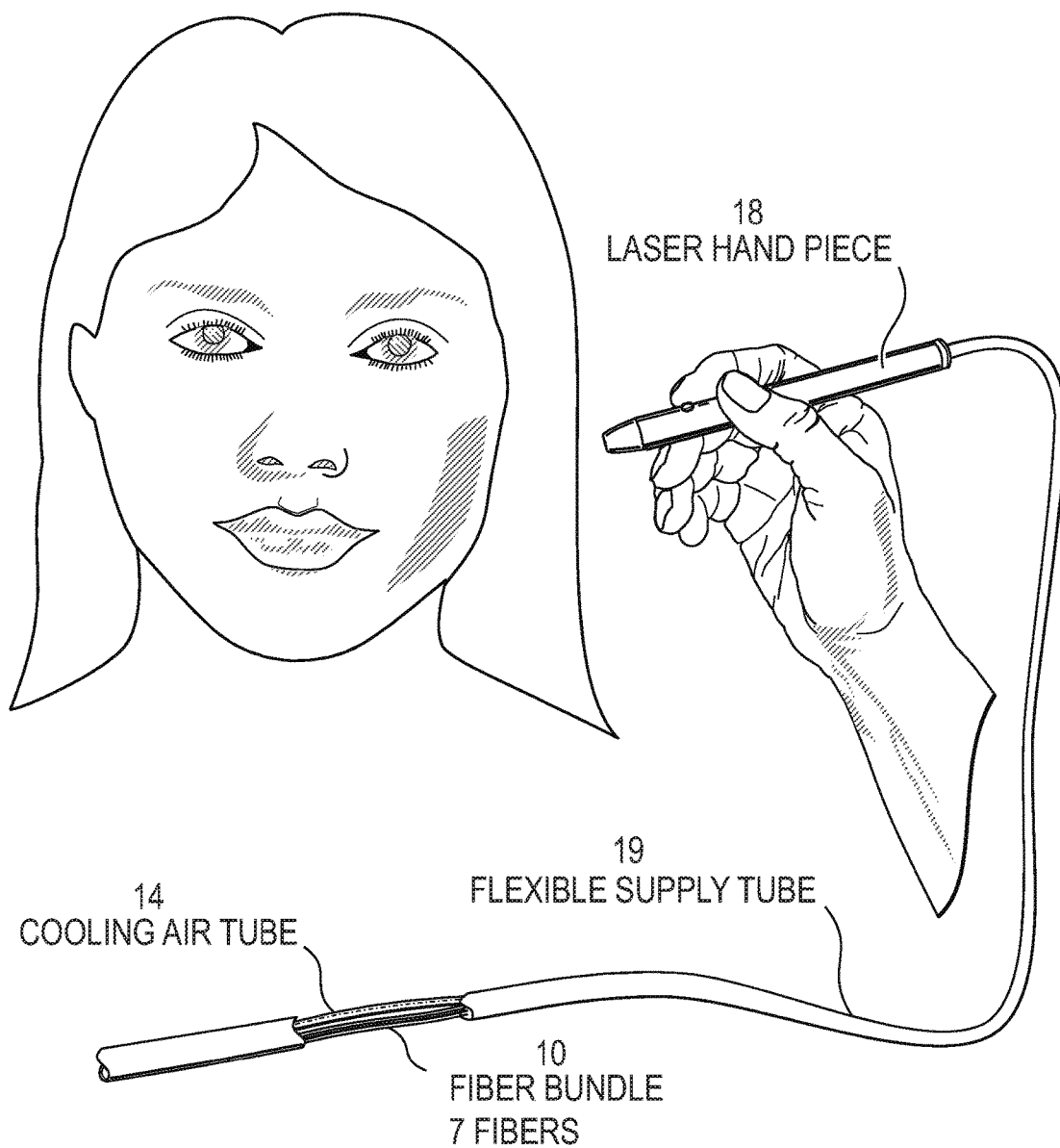
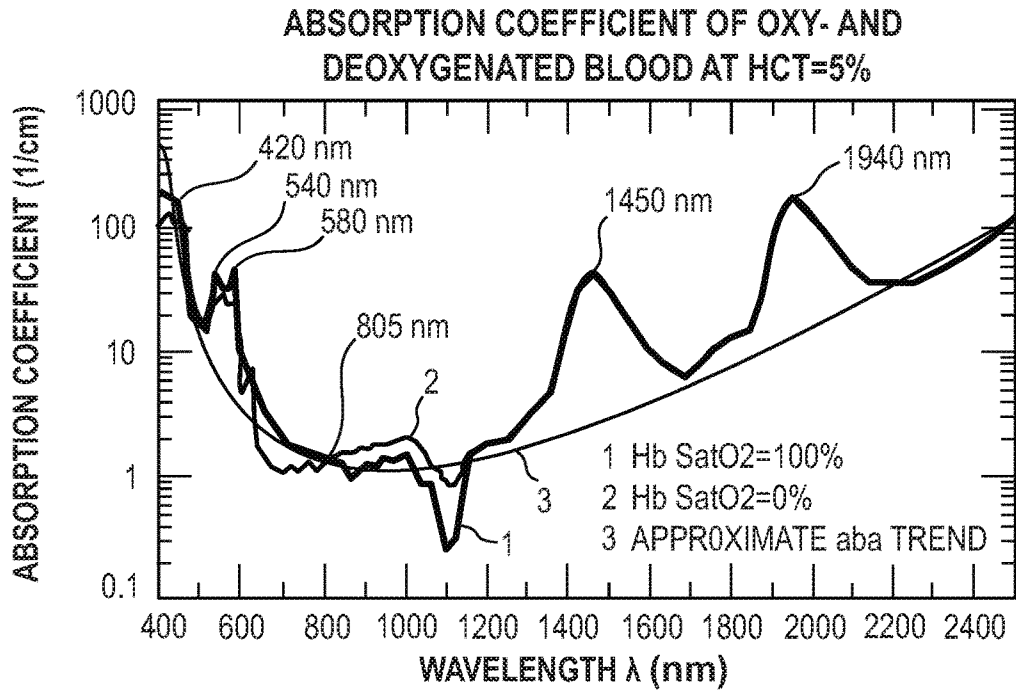
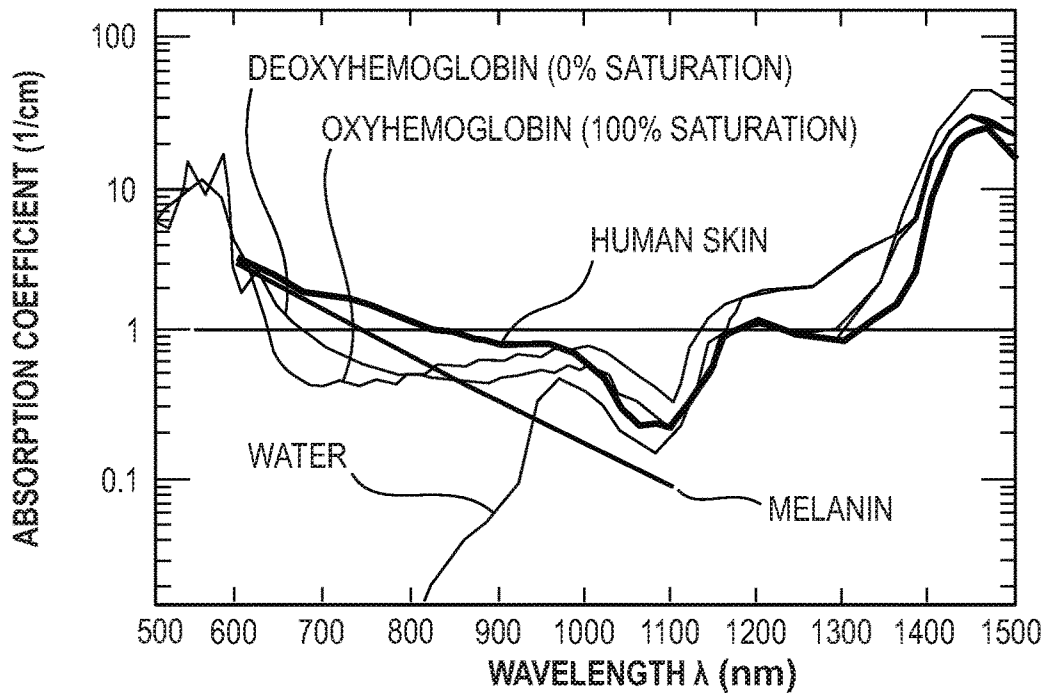


FIG. 6



ABSORPTION SPECTRA OF THE SKIN CHROMOPHORES AND THE CAUCASIAN TYPE OF SKIN



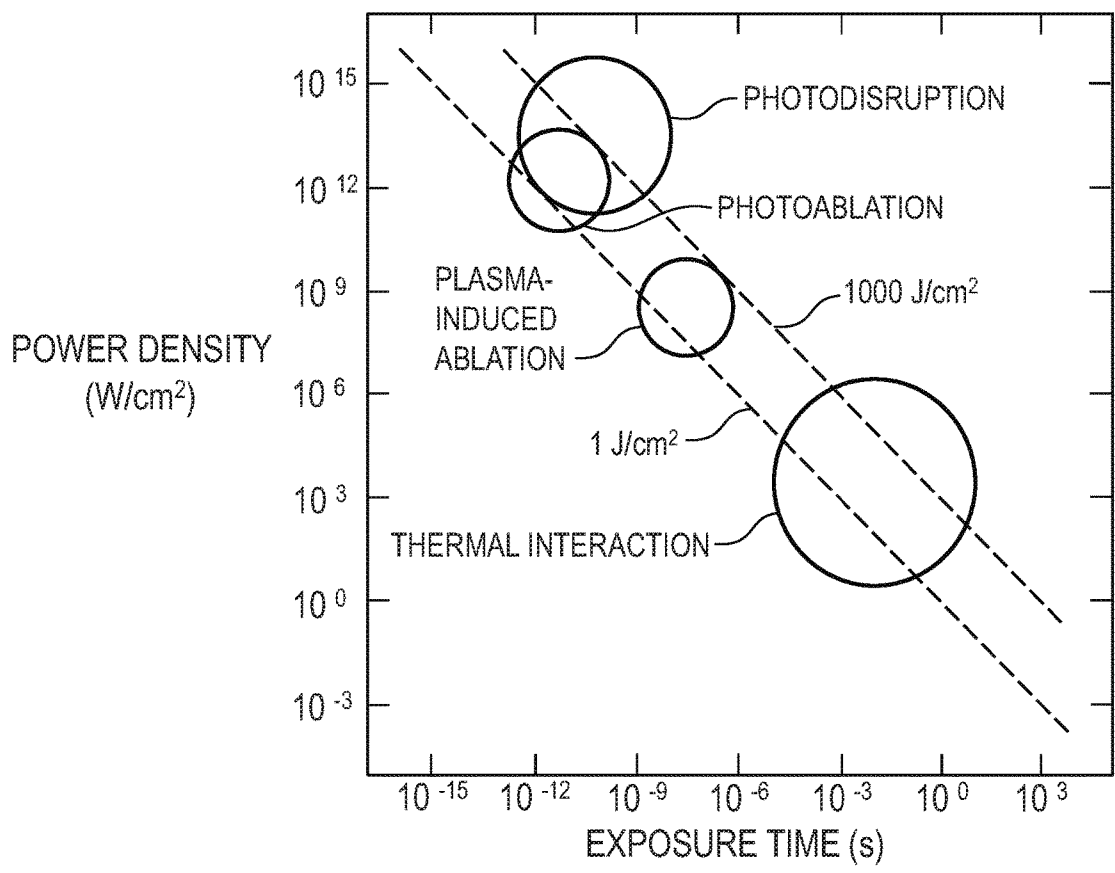


FIG. 9

ACCESSORY FOR ELECTROMAGNETIC HANDPIECE

CROSS-REFERENCE TO RELATED APPLICATIONS

[0001] This application is a continuation of application Ser. No. 15/825,102 filed Nov. 29, 2017, which is a continuation of application Ser. No. 14/215,057 filed Mar. 16, 2014. The entire contents of these parent applications are incorporated herein by reference for all purposes.

FIELD OF THE INVENTION

[0002] This invention relates to lasers, laser diodes, and solid state laser systems and in particular the use of those laser systems with a pre-filled medication/cosmeceuticals handpiece tip for skin treatment.

BACKGROUND OF THE INVENTION

Laser Diodes

[0003] Laser diodes are light sources where a direct current is applied to a semiconductor and electrical energy is transformed into laser light energy—the light is monochrome, coherent with high directionality. Laser diodes typically emit in a continuous wave mode or with relative long pulses (such as hundreds of microseconds or more). Light power could be dozens of watts from one diode. Individual diodes can be assembled together to produce more power.

Solid State Lasers

[0004] Solid state lasers use solid crystals as an active medium and a flash lamp or laser diodes as a pump source. The laser pulse duration in solid state lasers could be from a dozen femtoseconds to several seconds or a continuous wave. Laser energy could be from a fraction of millijoules up to dozens of Joules.

Wavelength Selection

[0005] Some wavelengths are very preferentially absorbed in a particular type of tissue when the tissue contains a particular chromophore that has a peak or relatively high absorption at the particular wavelength. After being absorbed in the tissue, laser energy eventually transforms into thermal energy and results in rise of the temperature. Use of a laser beam matched to a peak or relatively high absorption in tissue to treat the tissue is referred to as “selective photothermolysis.” Photothermolysis is a decomposition by temperature rise caused by light. Some wavelengths are absorbed relatively uniformly in tissue and when these wavelengths are used to treat the tissue it is referred to as “non-selective photothermolysis” or “homogeneous photothermolysis.” Choice of wavelengths is important when these lasers are used in medicine and for surgery, tattoo removal, skin peeling and hair removal. Absorption in blood is lowest in a wavelength range between about 700 nm and about 1300 nm with peaks at 1450 nm and 1940 nm as shown in FIGS. 7 and 8 and absorption in Caucasian skin is lowest in a wavelength range between about 1050 nm and about 1150 nm and peaks in a wavelength of about 1480 nm as well as at 1930 nm as shown in FIG. 8.

Tissue Damage

[0006] In some medical laser applications, living tissue is intentionally modified or damaged with laser energy. Modification of tissue depends on the volumetric laser energy deposition and pulse duration. In typical cases if the laser pulse is longer than several dozens of microseconds the typical result is a temperature increase in the skin tissue caused by the energy of the laser beam being absorbed in the blood vessels, the blood in the vessels, and the skin tissue. Temperature increases lead to tissue coagulation. In some cases, tissue adjacent to the target tissue can also be damaged. There exists, for normal skin tissue, a skin tissue damage temperature threshold. Temperatures below the threshold produce no significant damage. The threshold depends on time and temperature. For periods of time, for example between a few milliseconds and about one second, the damage threshold is about 44°. For shorter laser pulses, such as a few microseconds, the threshold is somewhat higher in the range of about 66° to 72° C.

[0007] If the laser pulse is very short (typically between several nanoseconds [10^{-9} seconds] to one microsecond [10^{-6} seconds]) the tissue may be damaged due to explosion or evaporation in the area of laser absorption. The laser energy is absorbed by skin tissue, however the laser pulse duration is very short and there is not enough time for the tissue to expand or for the heat to spread out of the laser spot. In these conditions the tissue is mechanically ruptured in the region of laser absorption.

Thermal vs. Ablation and Disruption

[0008] FIG. 9 is a chart showing the types of laser tissue interactions as a function of power density and exposure time. For pulse durations longer than about 1 microsecond, the laser-tissue interactions are thermal. For pulses shorter than 1 microsecond, the effects tend to be mechanical in the form of ablation or tissue disruption.

Laser Drug Delivery

[0009] Laser at wavelengths of high absorption in skin are used to damage and remove some parts of the skin layers. After that, a topical substance (such as gel, cream, etc.) could be applied to the damage area. A better penetration rate of this substance into the body is observed in this case. This principle is used for laser drug delivery.

The Need

[0010] What is needed is a low cost laser system or laser handpiece to produce precise damage in small regions of tissue and deliver a topical substance, such as a filler, which will penetrate into laser damage regions at the same time or after the laser treatment.

SUMMARY OF THE INVENTION

[0011] The present invention provides a laser system and laser handpiece and process for skin treatment. The system includes (1) components for producing a continuous or pulse laser beam, and (2) components for delivering a substance to the damaged region of skin. The system is designed to control and utilize the laser beam for damaging a small volume of skin tissue and using a disposable tip to deliver a substance which is applied simultaneously or with some delay producing a combination of laser action with the

action of a named substance at the same time. In preferred embodiments a laser beam is delivered to produce on the skin a single damage or multiple damages using a scanning system or optical system to produce a plurality of laser beams. The topical substance delivery tip can have one or multiple applicators with one or multiple substances delivered from individual applicators. The topical substance can be a medication, skin care product, cosmetic, or dye for example.

[0012] The topical delivery tip can also be used with a skin electroporation system for delivering topical substances when skin is damaged by electric energy.

[0013] The system also includes a laser handpiece designed to deliver skin surface cooling. In preferred embodiments, the surface cooling is provided with a flow of cold air. The cold air in preferred embodiments is at a temperature of about 0 to 3° C. and may be provided with a commercial off-the-shelf cooling air unit or with a simpler unit consisting of a blower unit, an accumulator and a tube coiled in an ice water bath.

[0014] The topical delivery tip can be combined with any other laser handpiece of existing dermatological and cosmetic lasers.

BRIEF DESCRIPTION OF THE DRAWINGS

[0015] FIG. 1 is a drawing of a preferred embodiment of the present invention.

[0016] FIG. 2 shows a block diagram of the handheld battery operated laser handpiece.

[0017] FIG. 3 shows a detailed design of the topical delivery tip.

[0018] FIGS. 4A, 4B and 4C show topical delivery tips with two or more applicators.

[0019] FIG. 5 shows a handheld battery operated laser with an internal scanner and topical delivery tip.

[0020] FIG. 6 shows the handpiece being applied to a patient.

[0021] FIG. 7 is a graph showing absorption coefficients in blood.

[0022] FIG. 8 is a graph showing absorption in skin.

[0023] FIG. 9 is a map of laser-tissue interactions.

DETAILED DESCRIPTION OF PREFERRED EMBODIMENTS

Preferred Embodiments

[0024] FIGS. 1 through 3 show features of preferred embodiments of the present invention. A preferred embodiment is related to lip augmentation and wrinkle filling by laser filling with hyaluronic acid. As shown in FIG. 1, the embodiment includes laser handpiece 12, a replaceable disposable tip 16 which is a standoff for optimal focusing of the laser beam 17 and simultaneously is an applicator of different fluid, cream, or gel type substances on the surface of the skin 8. In the preferred embodiment the laser is a handheld battery operated laser. FIG. 2 shows the block diagram of the laser handpiece. It consists of light emitting module 21 with beam shaping lenses 24, control circuit 26, re-chargeable battery 28, sensors 20 and a control panel with a display 22. In the preferred embodiment the light source is a laser diode. The wavelength of the laser diode is 1930 nm. The laser output is laser pulses, the energy of pulses and its repetition rate is set at the control panel and displayed at the

screen. The laser beam is focused by the beam shaping lenses in a small spot at a distance of the length of the tip standoff 23.

[0025] The detailed design of the disposable tip is shown at FIG. 3. The tip is made of a translucent medical grade plastic and is kept in a sterilized individual bag. The internal volume 44 of the tip is filled with a fluid, cream or gel substance. Before use the cap 32 on the top of the tip is removed and the tip is snapped to the laser. During the treatment the tip is sliding on the skin, the substance from the tip is applied onto the surface of the skin through a small opening made after removing the cap due to capillary effect. FIG. 3 shows that the substance can be applied also via mini ball applicator 38. In this preferred embodiment the fluid is hyaluronic acid. The fluid in the tip could be slightly heated up with electrical heater 36 or by energy split from laser light.

[0026] Application of the fluid takes place after the laser damages the skin. In the preferred embodiment with specific wavelength 1930 nm, the laser pulses make a small opening in the stratum corneum, hyaluronic acid penetrates into the opening as a filler (http://en.wikipedia.org/wiki/Hyaluronan#Cosmetic_applications). Thus, the described device is a compact handheld non-expensive, easy to use system that combines all in one laser delivery device and a delivering substance.

Other Preferred Embodiments

[0027] The tip can consist of more than one standoff as shown at FIGS. 4A, 4B, and 4C. Each one can contain different substances which can be applied right before, after and during laser action. For example, for a dual standoff tip, the first substance can be an anesthetic which is applied before laser action (at opening 41) and the second substance can be a therapeutic or skin care substance for skin treatment which is applied after laser damage. FIG. 4B shows the tip with three substances which are applied before (at opening 41), during (at opening 43), and after (at opening 42) laser action. FIG. 4C shows the delivery tip with multiple applicators.

[0028] The disposable tip can be used with other handheld lasers. FIG. 5 shows a handheld laser 53 with scanner 50. The laser produces a line of laser damages on skin, has a more powerful laser module and can be used for treatment of large areas of skin. To provide a source of energy to that more powerful laser a re-chargeable battery 51 is attached to the laser by cable 52. The battery 51 can be clipped to the waist belt or be carried in a pocket. This system is also designed to deliver skin surface cooling. In preferred embodiments the surface cooling is provided with a flow of cold air. The cold air in preferred embodiments is at a temperature of about 0 to 3° C. and may be provided with a commercial off-the-shelf cooling air unit or with a simpler unit consisting of a blower unit, an accumulator and a tube coiled in an ice water bath.

[0029] The disposable tip can be adopted to be attached to the handpieces of other stationary medical and cosmetic lasers which are commercially available or already being used in practice.

[0030] The disposable tip can be used with a skin electroporation system. In this case damage to the skin is produced by electrical energy and not light as in the case of lasers.

Hand Piece

[0031] FIG. 6. shows the system in operation with a handpiece being used to treat the face of a patient, the system comprising remote handpiece **18**, flexible supply tube **19**, cooling air tube **14**, fibers **7**, and fiber bundle **10**. In this embodiment a focused laser beam damages tiny volumes of skin tissue about 0.05x0.1 mm at the surface of the skin. Due to the compact size of the device, the procedure can be performed by a medical practitioner (doctor, nurse, etc.) or by the patient himself. The laser handpiece can have an internal scanner to provide multiple laser damage at one position of the handpiece, also the beam shaping lenses can be designed in such a way to provide application of plurality of laser beams.

Other Applications of the Present Invention

[0032] The above embodiments describe techniques for skin treatments based on the concept of a combination of a laser delivery system and topical substance applicator both in one handpiece. The laser beam produces damage and the applicator delivers the substance from the tip to the damage zone. That combination provides a convenient way to deliver a filler or other medical, cosmetic or skin care substance under the surface of the skin thus improving the skin appearance. This concept can be extended to other types of treatments. Some of these other types of treatments are discussed below.

Large Area Skin Treatment

[0033] A handheld laser with scanning system is used for large area skin treatment. For skin rejuvenation purposes tips with vitamins and antioxidants in fluid form, stem cell factors, could be used. This combination is for large area skin rejuvenation including neo-collagen formation, sebaceous gland and bulge area stem cell mobilization.

Laser Assisted Anti-Aging Process for Skin

[0034] The laser beam is made by 1930 nm laser diode pulses, these laser pulses are used to perforate the stratum corneum. Then an active topical agent (cream, gel, suspension, solution, etc.) with vitamins, antioxidants, or stem cell factors is applied. The active ingredients of the topical agents penetrate into the skin via micro openings and get into the tissue. This treatment can be combined with a second wavelength at 1550 nm which penetrates deeper into the skin and provides additional heating to increase the speed and efficacy of action of the topical substance. Due to elevated temperature of the tissue the absorption and activity of the active ingredient increases and enhances the overall efficiency of the skin anti-aging procedure.

Treatment of Acne and Acne Scar Tissue

[0035] The short laser pulses of 1930 nm rupture the upper surfaces of a scar making the scar tissue safer, and helps such surface rejuvenation. This combination can also be used for skin rejuvenation.

Hair Treatment (Removal and Regrowth)

[0036] Another efficient combination of the tip is its combination with a short Q-switched pulses of 1064 nm Nd:YAG laser. The hair removal process with that type of laser is greatly enhanced if a special black ointment is applied

prior to laser procedure. Usually the ointment application procedure is cumbersome because it is soiled when applied by hands. The use of a tip filled with the black ointment and its application before lasing would make this procedure much easier and cleaner.

[0037] The wavelength of 1930 nm from the preferred embodiment or around 2900 nm (2790 nm, 2940 nm) or around 10600 nm can be used to produce small openings in the skin on the skull. The tip filled with stem cells, stem cell growth factors and/or medications applied through the tip applicator right after laser pulses will produce treatment to stimulate hair re-growth.

Treatment of Rhytides, Scars and Wrinkles

[0038] Applicants recommend a combination of 980 nm and 1440 nm and 1930 nm for treatment of rhytides, scars and wrinkles. The 980 nm beam is used to produce deep penetration of laser energy into the tissue, the 1440 nm beam is used to access subcutaneous collagen and the 1930 nm beam is used to produce rupture of the stratum corneum and create an opening in the skin. These laser wavelengths can be combined with a disposable tip filled with hyaluronic acid, botox, fibroblasts, and other fillers, as well as with stem cell factors and other therapeutics.

Treatment of Telangiectasia and Pigmented Lesions

[0039] Applicants recommend 980 nm and 532 nm or 540 nm for telangiectasia and pigmented lesions treatments. The 980 nm beam is for deeper penetration into the tissue and 532 nm or 540 nm beams are for shallow penetration. Wavelengths in the range of 980 nm provide uniform preheating of and around the vessels and blood plasma. The small blood vessels are then destroyed by the energy of extremely short pulses of 532 nm or 540 nm laser beams which are strongly absorbed as shown in FIGS. 7 and 8. This treatment will be efficient with anti-angiogenic treatment delivering a drug (like Avastin™ or Lucentis™) or an anti-angiogenic antibody provided with the use of the tip with those substances. This will inhibit re-appearance of destroyed blood vessels.

Pigmented Lesions

[0040] For treatment of pigmented lesions and wrinkles Applicants recommend a combination of 980 nm, 532 nm and 1440 nm. The 980 nm beam is to form an energy cavity with deep penetration (several mm) and 532 nm and/or 1440 nm are used to form energy drops to treat pigmented lesions and wrinkles at the same time as described above.

Collagen Modification

[0041] Some skin treatment procedures like for example subcutaneous injection of live fibroblasts specifically target collagen fiber modifications. Combination of the delivery of that and similar substances with the help of a delivery tip and a laser have double fold benefits. First the laser produces an opening in the skin and provides a delivery pathway for the active substance that modifies collagen fibers and structure, also laser damage of the skin and collagen fibers induces an endogenous process of collagen modification. Those two processes acting together significantly increase the efficacy of collagen modification and lead to skin rejuvenation.

Temporal Tattoo for Medical and Aesthetic Purposes

[0042] The tip can be filled with a dye. After the rupture of the stratum corneum by the laser the dye from the applicator tip penetrates into micro-holes in the upper layer of skin and can stay there for some time producing a tattoo. Since the depth of the skin opening is very superficial compared to traditional tattoo needles, the tattoo does not stay long, thus this process can be used as a temporal tattoo for aesthetic and therapeutic purposes.

Laser Suppliers

[0043] The handheld lasers systems with single or dual wavelength with or without a scanner can be obtained from Dolleris Technology™ with offices in Vancouver, Canada and Intezity Innovation™ (Hvidovre, Denmark).

[0044] All of the above combinations of wavelengths can be obtained by using powerful laser diodes. The laser diodes can be obtained from a number of manufacturers like nLight™, with offices in Vancouver, Canada; Coherent™, with offices in Santa Clara, Calif. and IPG Photonics™, with offices in Oxford, Mass.

[0045] Other laser suppliers include Palomar™ (Burlington, Mass.), Cynosure™ (Westford, Mass.), Candela™ (Wayland, Mass.), Sciton™ (Palo Alto, Calif.), Lumenis™ (Santa Clara, Calif.), Cutera™ (Brisbane, Calif.), and Lutronic™ (Fremont, Calif.).

[0046] The reader should understand that the above specific embodiments of the present invention are merely examples and that many changes and modifications could be made without departing from the important concepts of the present invention. For example, many sources of radiation at different wavelengths that are scattered and absorbed in tissue and skin with specific configuration and time relationship may be substituted for the lasers described in detail. In fact, the above-described source of radiation could be any source of electromagnetic energy that meets the above-described criteria, such as microwave, radio frequency, light (laser diodes, light emitting diodes (LED), non-coherent light source), etc. Those sources of radiation are to be combined with a disposable tip that delivers a topical substance onto the surface of skin before after or during the action of the radiation.

1. An accessory for an electromagnetic handpiece, the accessory comprising:

- a) at least one applicator tip having an opening therein;
- b) a reservoir in fluid communication with said applicator tip, wherein said reservoir is configured to contain at least one composition;
- c) a connecting surface configured to connect to an electromagnetic handpiece; and
- d) a cap in contact with said applicator tip, wherein said cap is configured to prevent the release of said composition through said opening;
- e) wherein said accessory is configured to deliver said composition to the skin of a patient simultaneously with the application of electromagnetic energy to the skin of said patient.

2. The accessory of claim 1, wherein said accessory comprises a plurality of applicator tips.

3. The accessory of claim 1, wherein said applicator tip is conically shaped.

4. The accessory of claim 1, wherein said accessory is configured to permit electromagnetic energy from said handpiece to pass through said accessory when said accessory is connected to said handpiece.

5. The accessory of claim 1, wherein said applicator tip comprises a ball applicator.

6. The accessory of claim 1, wherein said accessory comprises a heater.

7. The accessory of claim 1, wherein said handpiece is configured to deliver laser energy and said accessory has a length that is configured to focus said laser energy on the skin of said patient.

8. The accessory of claim 1, wherein said applicator tip forms the terminal end of said handpiece when said accessory is connected to said handpiece.

9. The accessory of claim 1, wherein said reservoir is configured to contain a composition selected from the group consisting of a suspension, solution, cream, and gel.

10. The accessory of claim 1, wherein said reservoir is configured to contain a composition selected from the group consisting of a medication, skin care product, anesthetic, vitamin, antioxidant, stem cell factor, stem cell, ointment, growth factor, dye, fibroblast, botox, drug, antibody, hyaluronic acid, cosmetic, and combinations thereof.

11. The accessory of claim 1, wherein said handpiece is configured to deliver energy selected from the group consisting of laser energy, microwave energy, radio frequency energy, electroporating energy, light emitting diode energy, and non-coherent light energy.

12. The accessory of claim 1, wherein said electromagnetic handpiece is configured to deliver continuous laser energy or pulse laser beam energy.

* * * * *